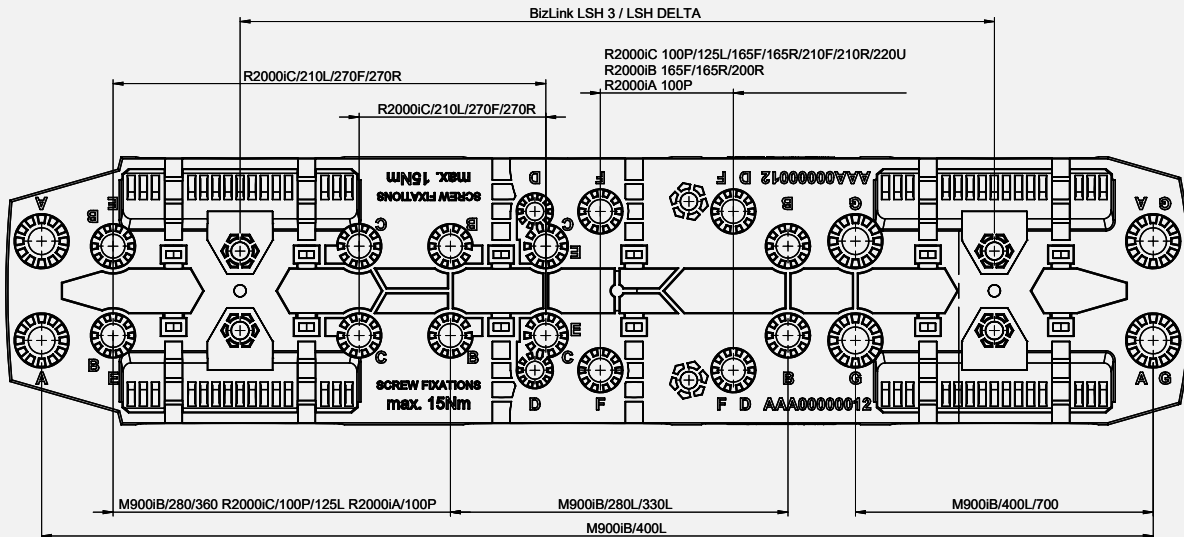


▶ **Robotic – base plate FANUC (AAA00000012)**

Mounting positions



M900iB/280: B

M900iB/280L: B¹⁾

M900iB/330L: B¹⁾

M900iB/360: B¹⁾

M900iB/400L: A³⁾, G¹⁾

M900iB/700: A³⁾, G¹⁾

R2000iC/100P: B, F¹⁾

R2000iC/125L: B, F¹⁾

R2000iC/165F: F

R2000iC/165R: F

R2000iC/210L: C²⁾, E²⁾

R2000iC/210F: F

R2000iC/210R: F

R2000iC/220U: F

R2000iC/270F: C²⁾, E²⁾

R2000iC/270R: C²⁾, E²⁾

R2000iB/165F: F

R2000iB/165R: F

R2000iB/200R: F

R2000iA/100P: B, F¹⁾

Description:

¹⁾ Only in combination with AAA00000027

²⁾ Only in combination with AAA00000028

³⁾ Optionally with 2x AAA00000032

▶ **Information & downloads –**

available in several languages on our website

Informationen & Downloads –

in mehreren Sprachen auf unserer Webseite erhältlich

Informations et téléchargements –

disponibles en plusieurs langues sur notre site web

资讯与下载, 网站提供多种语言可选



Scan for more
details about
BizLink retract
systems



Scan for more
technical
information and
downloads