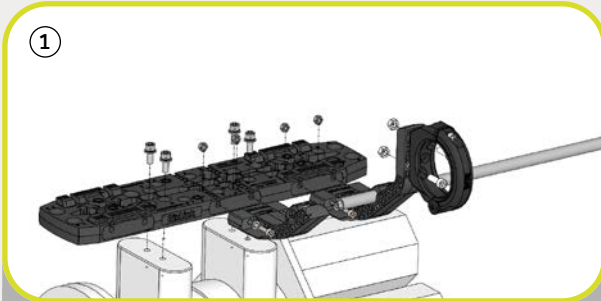
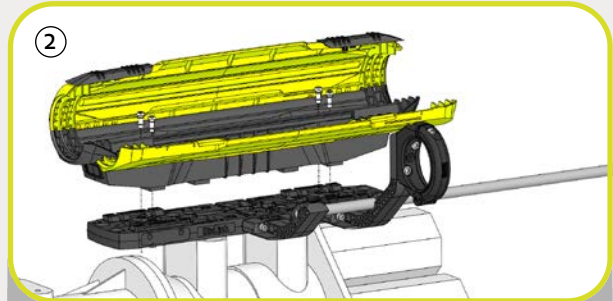


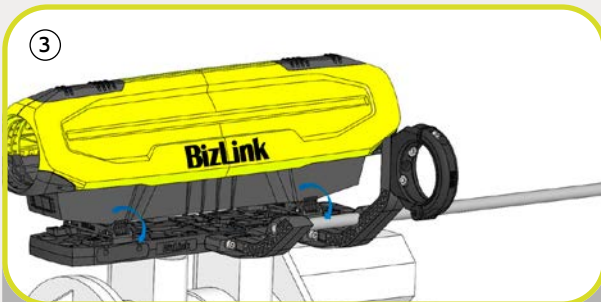
► **Robotic – quick installation guide**



The base plate is installed on the robot. The cable clamp is assembled to the side arm. The side arm / support arms are assembled to the base plate. The aluminum bar is fixed on the arms by tightening the screws.



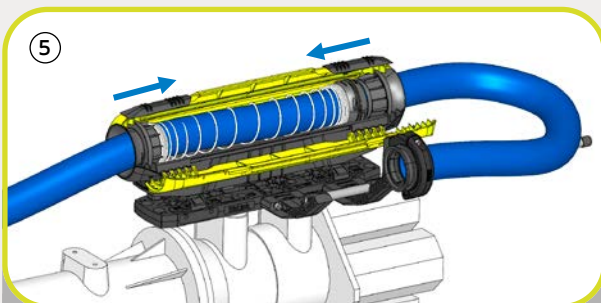
In the standard version, the LSH Delta is mounted to the base plate with a screw-connection.



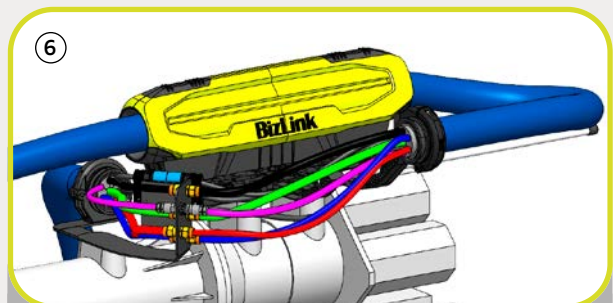
In the premium version, the LSH Delta is slid onto the base plate using the slide & click adapter ...



... and then fixed in the desired position using the adapter locks.



The dresspack is inserted into the LSH Delta. The LSH Delta is closed using the closing latches.



Detailed information for dresspack installation must be considered. During commissioning, ensure that the installation is free of collisions.

► **Information & downloads –**

*available in several languages on our website*

Informationen & Downloads –  
in mehreren Sprachen auf unserer Webseite erhältlich

Informations et téléchargements –  
disponibles en plusieurs langues sur notre site web

资讯与下载, 网站提供多种语言可选



Scan for more details about BizLink retract systems



Scan for more technical information and downloads